



KUBO is the first self-standing aluminium PERGOTENDA in the Corradi collection. The patented product features an exclusive design and key technical features, such as the eaves and drainpipes fully built into the structure, where the fabric is largely hidden.

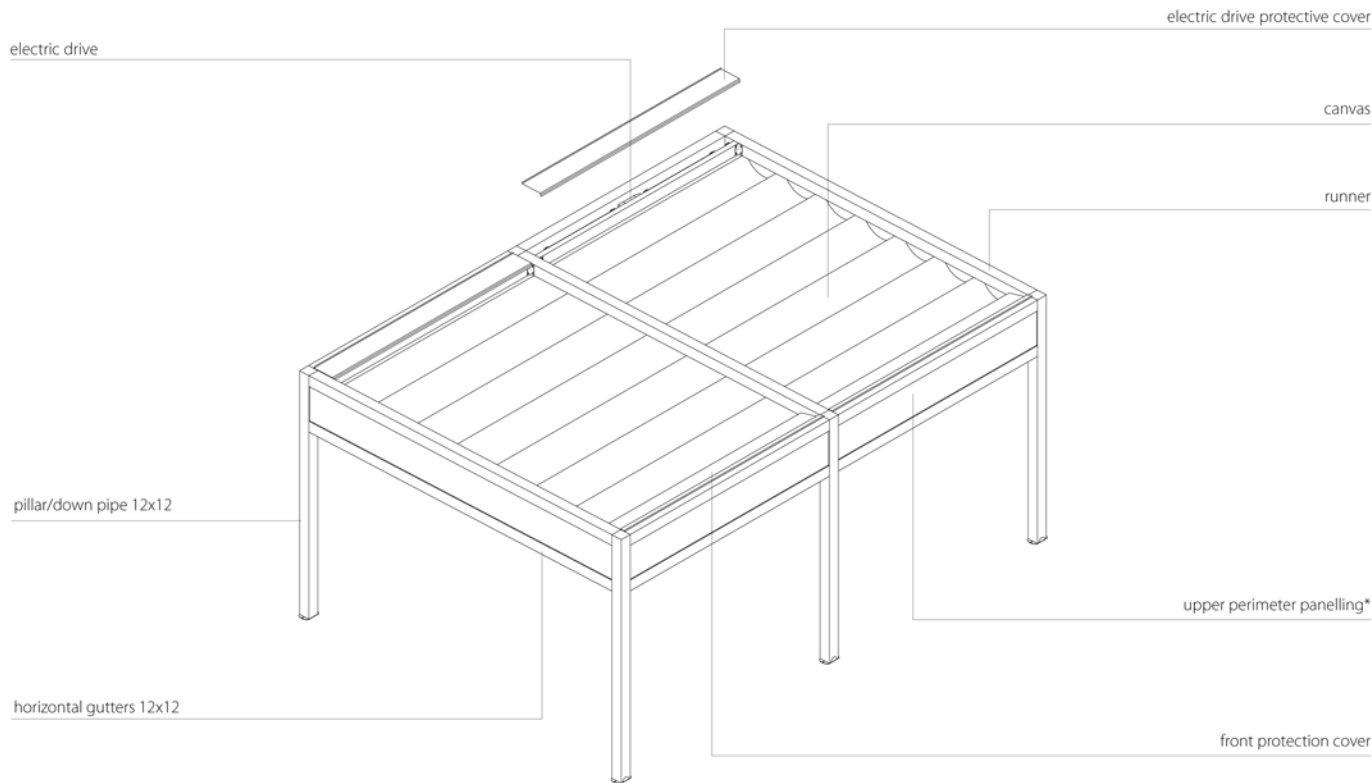
It is a self supporting modular retractable coverage system operated by an electrically driven motor and can be remote controlled. The aluminium structure (120mm x 120mm) is available in: white, anthracite, aluinox and burnished bronze.

Key Features

- A self standing custom designed aluminium frame built to protect from the sun or from adverse conditions;
- A house look-a-like design with optional eaves and drain pipes;
- Can either be operated by radio command (motorised) or handled by crank (manual);
- The aluminium structure can be supplied painted, anodised or with both coatings combined on a single frame;
- Can withstand a class 3 wind intensity;
- Comes with a 5 year warranty.

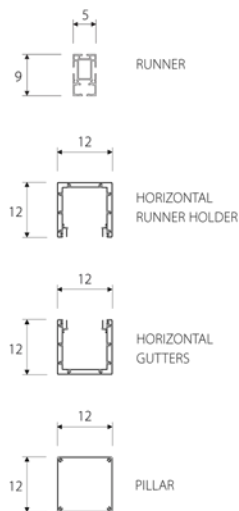
Never worry about the season again

KUBO FEATURES



* If the methacrylate panelling should be longer than 300 cm it will be supplied in two or three pieces (with joint); aluminium panelling will be supplied as a single piece.

PROFILE SELECTION



All measurements are given in cm.

PROJECTION

