



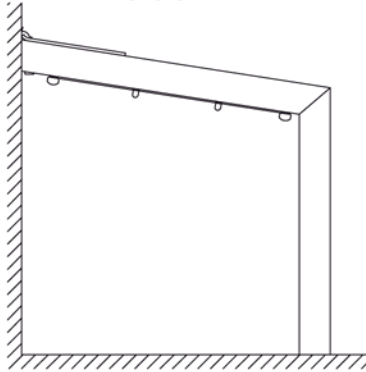
TWIN offers a more robust, stronger and more functional timber framework with the same key features as PERGOTENDA. The frame is available in a variety of tints suitable for any setting and can be installed either flat or tilted. Therefore it is an ideal solution for those who want to combine contemporary design with the warmth of natural materials such as timber.

Key Features

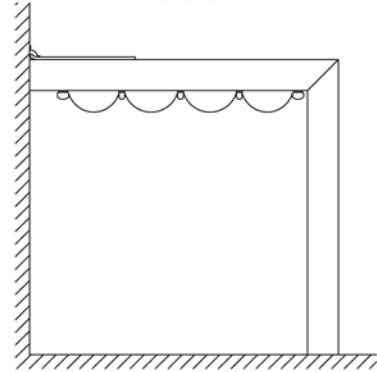
- Custom made timber frames are supplied, made from glulam pine timber for extra strength;
- The PVC fabric is durable and waterproof with a minimum of maintenance;
- Designed to resist strong winds (up to 75kph);
- A stacking retractable solution offering great protection against the elements;
- Gutters can be installed to collect rain water and channel it down integrated posts;
- Can be installed flat or tilted;
- Motorised operation and remote control;
- 5-year quality guarantee.

Never worry about the season again

TILTED
Version



FLAT
Version



MAXIMUM DIMENSIONS cm

	<i>Width</i>	<i>Projection</i>
2 runners	450	680
3 runners	900	680
4 runners	1300	680

MAXIMUM DIMENSIONS cm

	<i>Width</i>	<i>Projection</i>
2 runners	350	700
3 runners	700	700
4 runners	1050	700

4 RUNNERS

