

The SeaShell Awning



Elegant • Retractable • Waterproof • Strong

Set and forget for months
Fits where no other awnings can

SeaShell™
A W N I N G S

The **Evolution** of Shade™

Patio • Deck • Café • Pool • BBQ Area • Restaurant

Features Benefits & Options

Elegant yet incredibly **strong**. The SeaShell is the world's only awning that self retracts in high winds as well as being easily **retractable** by hand to put you in control of your outdoor living area or café. Set your awning and forget it. No need to worry about a sudden storm while you are out. Leave it open for months on end. Get years of service. Looks beautiful and compliments your home. Adaptable to any angle to protect inside or outside corners and yet equally functional as a free standing 360 degree structure. 100% **Water and UV proof** and **durable** the SeaShell is made from corrosion resistant structural aluminium and stainless steel and comes in a range of sizes and colours up to 5 metres in radius.



The ultimate in shade and all weather protection

Features	Benefits
<p> All weather protection</p> <p>Provides a large area totally protected from UV radiation and waterproof. Comes in a range of sizes up to 10 metres in diameter.</p>	<p> Creates usable outdoor space</p> <p>Creates a new outdoor entertaining area for any home or an essential extension of a café or restaurant.</p>
<p> Seashell design looks great</p> <p>A unique and strikingly different design. The Sail panels and powder coated aluminium structure are made to order in a variety of colours. Sail panels can be easily replaced.</p>	<p> Adds aesthetic and financial value</p> <p>Compliments the architecture of your home or business, matching your colour scheme and adding an elegant new feature</p>
<p> Strong and durable</p> <p>Made from high quality materials; structural aluminium, stainless steel and PVDF sail material. Incredibly strong, certified to W50 under AS 4055-1992 (winds to 50 metres per second). Self retracts in high winds. 5 year warranty.</p>	<p> Set and forget for years</p> <p>Set your awning and forget it. No need to worry about a sudden storm damaging your SeaShell while you are out. Leave it open for months on end. Get years of service.</p>
<p> Fully retractable</p> <p>Open or close with a simple one-person operation requiring no individual strength.</p>	<p> Flexibility - summer or winter</p> <p>Let the sun shine through in winter and create shade through summer. Protect from rain at anytime.</p>
<p> Variety of configurations & sizes</p> <p>Available in, 90 degree, 180 degree, 270 degree or 360 degree formats. Standard (spar radius) sizes – 3, 4 or 5 metre. Custom made to any length or angle in-between.</p>	<p> Adaptable to corners</p> <p>Fits snugly into inside or outside corners where no other awning will go. Easily fits along straight walls or covers semi-circular patios.</p>
<p> Competitive price</p> <p>Prices comparable or often lower than quality folding arm awnings, offering superior durability and all weather protection.</p>	<p> Value for money</p> <p>Great value for money. An investment that will last for years and add value to any home.</p>
<p> Australian made</p> <p>Designed and manufactured locally to withstand the harsh conditions</p>	<p> Durable and available now</p> <p>Withstands harsh Australian conditions and available within only weeks of order.</p>

Options

Configurations



360°

270°

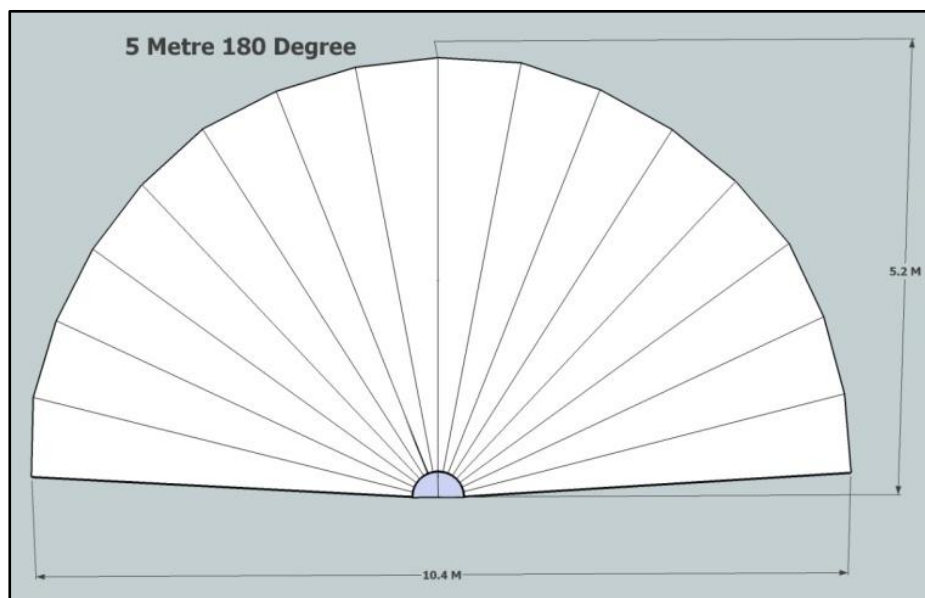
180°

90°

In a 90 or 270 degree configuration the SeaShell fits snugly into inside or outside corners where no other awning will go, yet in a 180 degree configuration easily fits along straight walls as a semi-circular cover or adapts as a free standing 360 degree umbrella-like structure. No poles required at the extremities – ideal for footpath cafés. The SeaShell comes in a range of sizes up to 10 metres in diameter and covering areas up to 78 square metres. Awnings can be mounted on to existing structures in nearly any situation or free standing on a pole.

Sizes

- **3 Metre (radius) / 6 Metre (diameter)**
- **4 Metre (radius) / 8 Metre (diameter)**
- **5 Metre (radius) / 10 Metre (diameter)**



Sail Panel Colours

The sail panel colours can be selected from the colour swatches that your retail distributor will show you. Colours selected from the 'Custom' range will incur a modest surcharge.

SeaShell Recommended Colour Range*

Mehler Haku Polymar® 8506 / 5244

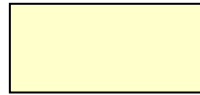
650 gsm / 250cm; Anti-wick; PVDF / Double Acrylic



White 907



Pearl White 141

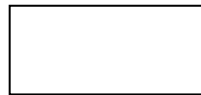


Cream 146

SeaShell Custom Colour Range*

Mehler Haku Polymar® 8506 / 5250

650 gsm / 250 cm & 300 cm; Anti-wick; Acrylic / Acrylic



White 907



Yellow 119



Red 370



Blue 543



Dark Blue 566



Emerald Green 636



Dark Grey 705



Black 905

* As colours displayed on computer screens and printers can vary, colours displayed on this page are approximate only. Your retail distributor can show you actual samples of sail panel material.

Awning Frame Colours

The aluminium and stainless steel frame of the SeaShell Awning is powder coated from colours selected from the **Dulux Colour Selector**. Your retail distributor can assist you with this.

Specifications



Specifications

Your SeaShell Awning is proudly designed and manufactured in Australia. The unique design is covered by a world-wide patent and is made from the highest quality materials.

Wind Strength Certification

The 180 degree awnings, in both 3 metre, 4 metre and 5 metre radius sizes, have been certified for installation on all sites with a wind classification of up to W50 (ie in accordance with Australian Standard AS 4055-1992, "Wind Loads for Housing", a classification of N4 in Regions A & B or C2 in Regions C & D). W50 signifies sites that can experience wind gusts of up to 50 metres per second or 180 kilometres per hour. The Seashell Awning may also be installed on sites with a wind classification of up to W70 (wind gusts of up to 70 metres per second), subject to assessment by a qualified structural engineer to determine if there are any additional special requirements. It can be expected that the 90 degree awning will exhibit similar if not stronger characteristics, whilst the 270 degree or custom awnings whilst very strong may need to be assessed individually if installed in particularly exposed areas.

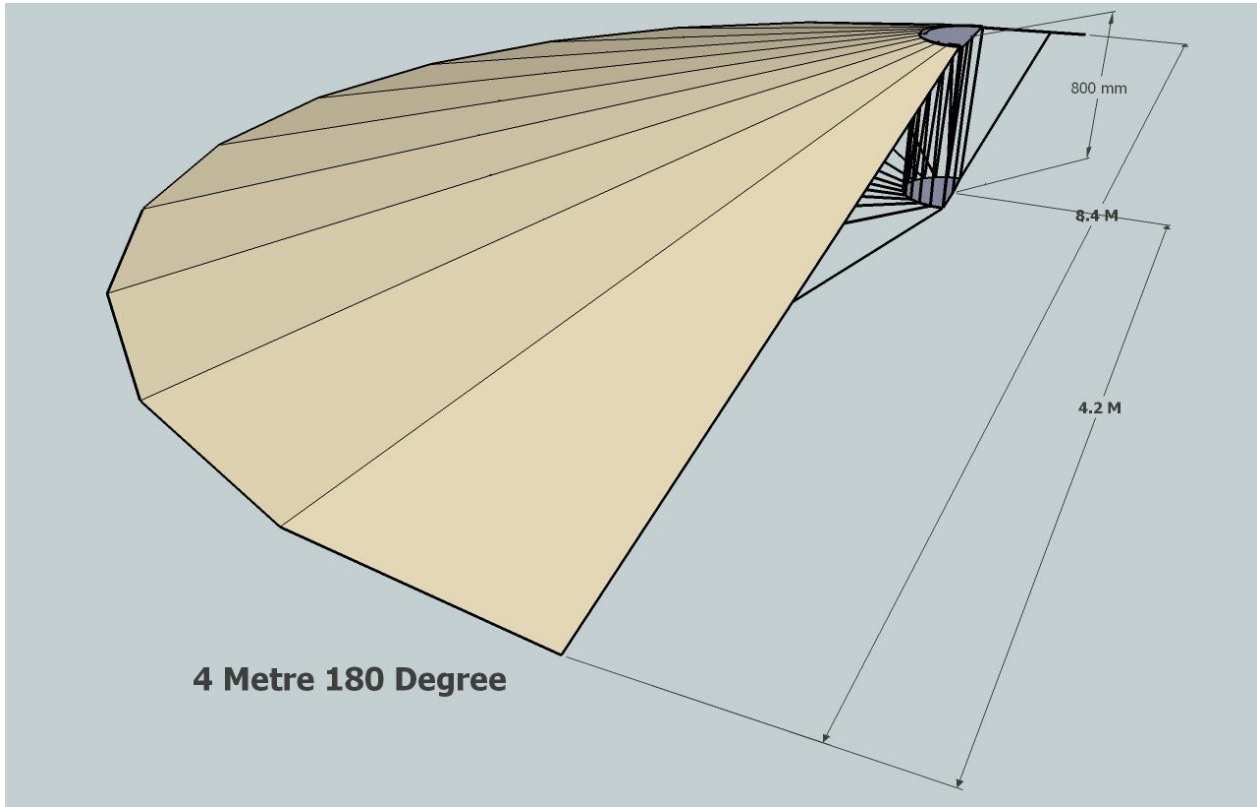
Self Retraction

Each SeaShell Awning uses MagnaLOC™ technology, which enables the Seashell Awning to self retract when wind speeds reach approximately 65 kilometres per hour or 35 knots. This will vary depending upon the wind direction relative to the awning orientation. This protects your awning from damaging winds without the need for you to do anything.

Materials

Each Seashell Awning is engineered using:-

- Frame constructed from dependable lightweight and corrosive resistant 6106 T-6 structural aluminum;
- Compression poles made from T304 stainless steel;
- Powder Coated parts meet Australian standard AS3715;
- Tension membrane (Sail Material) made from durable waterproof and lightweight Mehler Polymar® 8506 / 5244 – fabric; UV protection; flame resistant (BS 7837, CA T-19, NFP 92507); and, resists microbial and fungal attacks;
- MagnaLOC™ Technology;
- Locking-Receiver housing for easy and dependable storage;



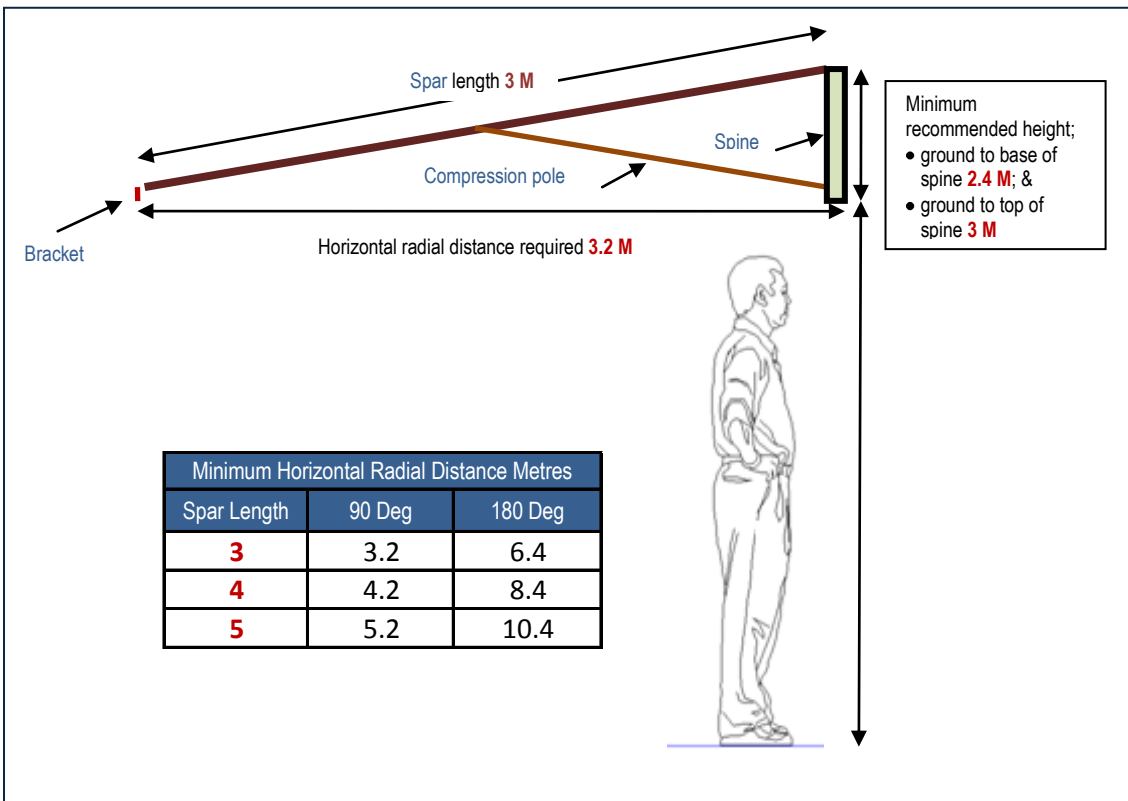
Awning Key Dimensions

Seashell Awnings are available in these sizes and configurations:

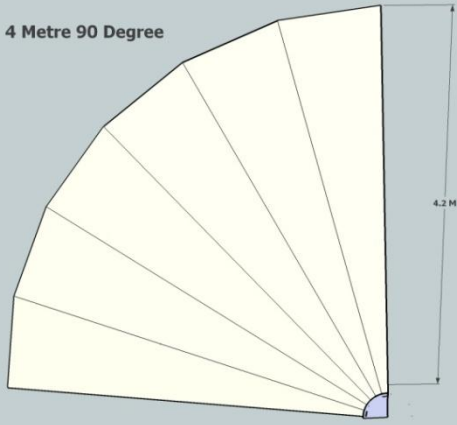
Awning Radius	Centre Spine Height	Pitch	Protected Area in Square Metres				Minimum Horizontal Radial Distance Metres	
			Metres	Degrees	90 Deg	180 Deg	270 Deg	360 Deg
3 Metre	0.6	12	7	14	21	28	3.2	6.4
4 Metre	0.8	12	12.5	25	37	50	4.2	8.4
5 Metre	1	11.5	19.5	39	58	78	5.2	10.4

Awning Radius	Dead Weight in Kg			
	90 Deg	180 Deg	270 Deg	360 Deg
3 Metre	80	120	160	200
4 Metre	120	180	240	300
5 Metre	148	220	292	364

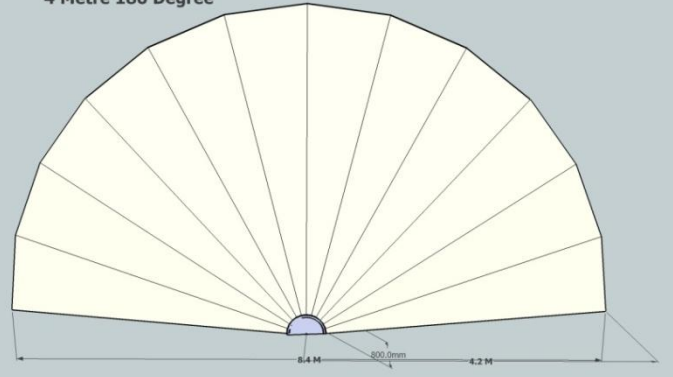
- Weights include a single brick wall bracket .
- 360 degree awning weights do not include weight of pole mount.
- Weights have an error margin of +/- 7%.



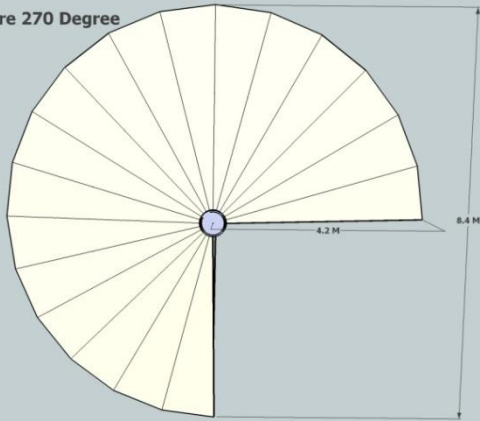
4 Metre 90 Degree



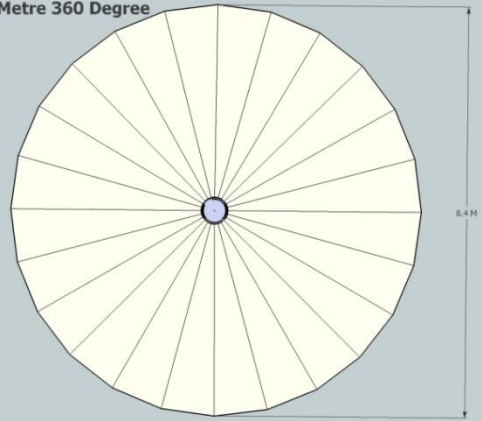
4 Metre 180 Degree



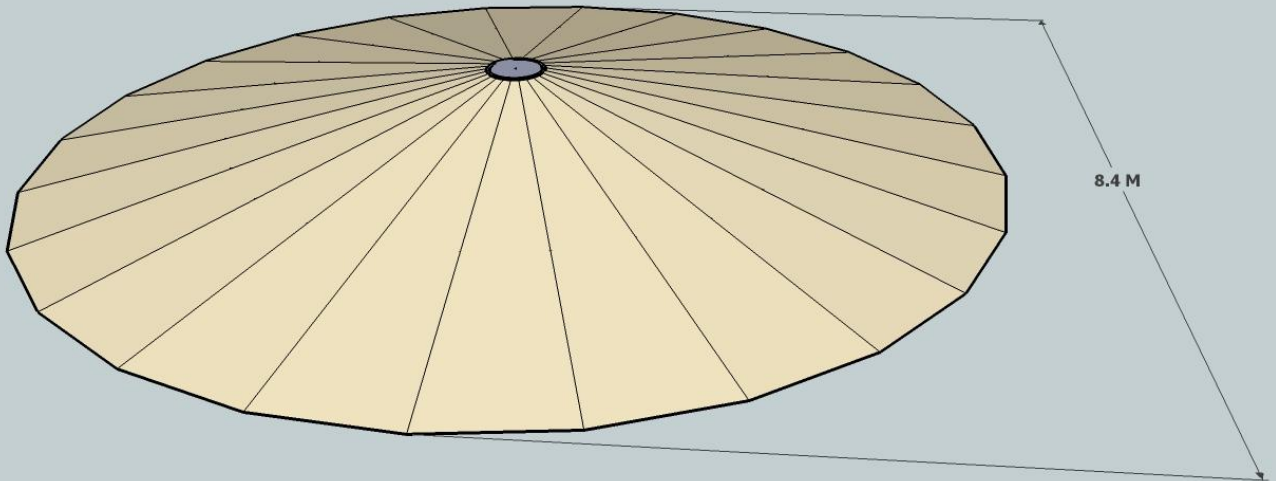
4 Metre 270 Degree



4 Metre 360 Degree



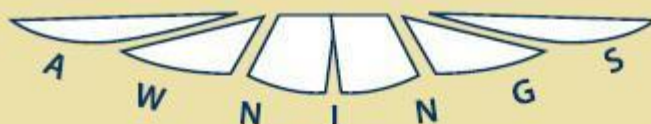
4 Metre 360 Degree



The ultimate in retractable all weather protection



SeaShell™



- Elegant yet incredibly strong
- Self retracts in high winds
- Water and UV proof
- Adapts to any angle
- Range of sizes and colours
up to 5m radius



www.seashellawnings.com.au

Warranty & Maintenance



5 Year Warranty

For all Seashell Awning products purchased or delivered hereunder, Seashell Industries Pty. Ltd. warrants they are free from defects of workmanship and/or material for a period of 5 years from the time of purchase. Seashell Awning System components consist of frame, articulated spine assembly, ropes, cords and attachment devices. The Warranty does not apply to normal wear and tear including deterioration of ropes, ancillary components of installation including faulty structures that it is attached to, faulty installation, or to damage or wear and tear resulting from the effects of inclement weather or atmospheric fallout or to ropes and cords exposed to atmospheric fallout or coastal conditions. Should any products be determined by Seashell Industries Pty. Ltd. to be defective, at the option of Seashell Industries Pty. Ltd., such products shall be replaced or repaired and returned to the purchaser free from defect. The warranty does not apply to any product installed outside of Australia.

This warranty is subject to the purchaser doing the following:-

- Report to their Seashell Awning retail distributor within (30) days of fault;
- Maintain the Seashell Awning in accordance with the manufacturers scheduled maintenance program;
- Provide proof of purchase from an authorized Seashell retail distributor or warranty registration if so requested;
- Not use the Seashell Awning for any purpose other than awning;
- Not tether or otherwise restrict the normal operation of the awning;
- Make the product accessible for service including the cost of any special access equipment if this is required and if resident in non metropolitan areas, remote from our network of distributors, meet the cost of transport of the awning if required to be returned to the factory for repair.

The purchaser has the benefit of conditions and warranties implied by the Trade Practices Act of 1974 and nothing in these terms is intended to exclude, restrict or modify any statutory obligation of the vendor if that cannot be lawfully effected.

Maintenance Schedule

Sails

The Seashell can be cleaned with mild soapy water and rinsed well. Sails must be rolled and tethered with straps supplied when in the folded position for an extended period of time (24 hours or more) as not to degrade material through movement. Care must be taken not to allow mould to grow in humid conditions when sails are stored in the folded position. To increase the lifespan of the sails, it is recommended that the awning spend most of its life in the fully displayed (out) position.

Sails can be expected to last well beyond the warranty period if regularly maintained. Sails left for long periods in the folded position may develop a crease. Replacement sail panels or complete kits are available.

Metal Frame

Wash using a mild detergent in a solution. Wash and rinse all surfaces. In non-coastal areas at least every six months, in coastal or industrial areas wash and rinse all parts at least once a month. After washing, all moving parts should be neatly sprayed with a lanolin based lubricant (LANOX) or similar.

Pulleys and Ropes

Clean as above. To aid in the smooth operation of the awning and decrease wear on cords, a silicon spray should be applied to the cords each year or as required.





www.seashellawnings.com.au